

Info-Flash

New Release: Document Management / Matrices / Notification

Summary:

A new release of the document management management, matrices and notification will be delivered in both production and homologation environments this Thursday, February 28th from 7am (we foresee no service interruption).

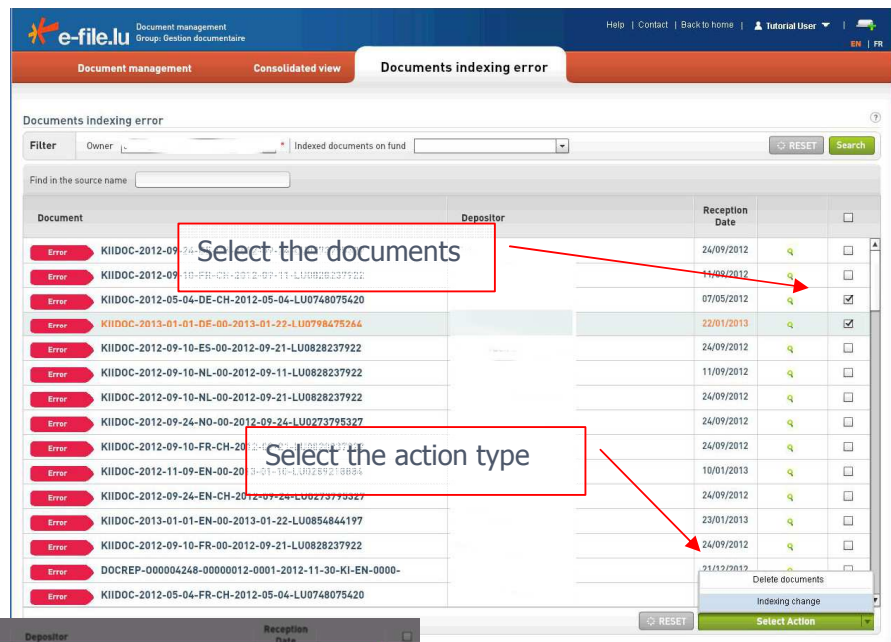
This new version is directly available, no installation is required on your side, however, we invite you to empty the cache of your web browser by following the steps described in our [Wiki](http://www.e-file.lu/wiki/Index.php/E-file_Light_EN#Clear_the_Browser_cache) (http://www.e-file.lu/wiki/Index.php/E-file_Light_EN#Clear_the_Browser_cache).

For information, version level shown in the lower left of the e-file light home screen will be **v1.3.1**

Document Management : « Documents Indexing errors »

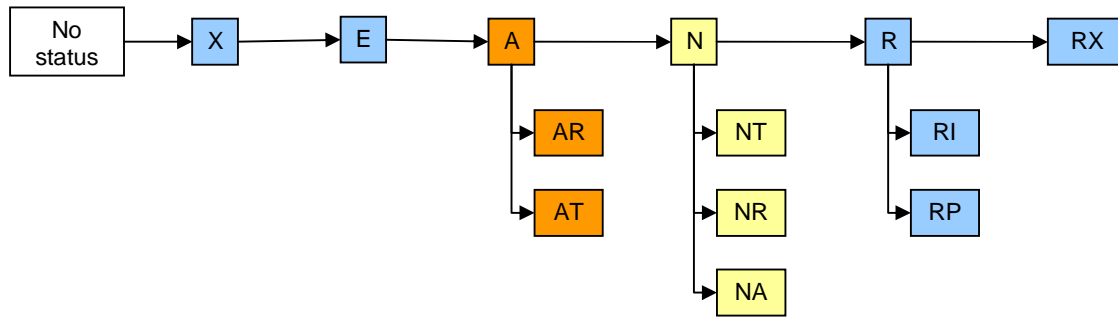
A new tab in the document management application enables the indexing errors :

By owner, this view lists the indexing errors. It is then possible to select one or more documents and to remove them or correct the indexing.




New registration status

New registration status are now recognized in the different applications:

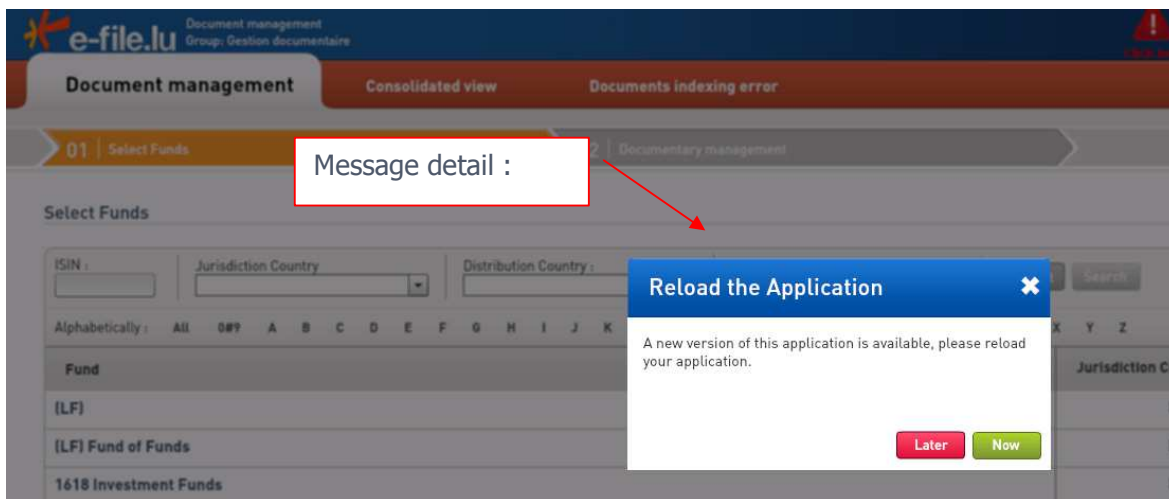
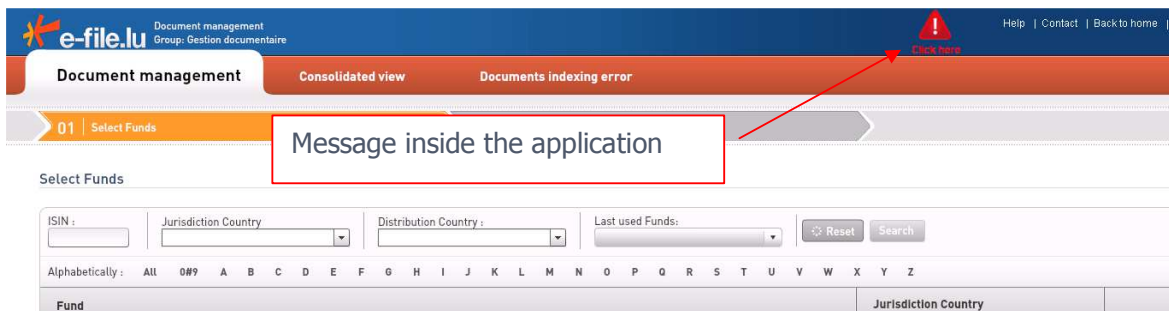
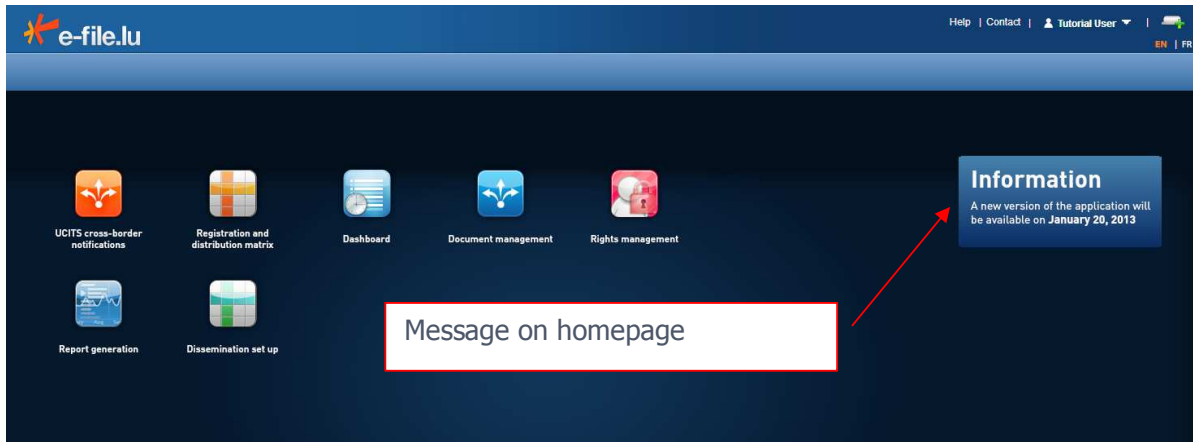


- Status manually set through the registration and distribution matrix module
- Status automatically set through the notification module
- Status automatically or manually set through the notification module

Status	Status signification	
	Manually set	Automatically set
X	Not registered	N/A
E	To register	N/A
A	Registration in progress	select an instrument at step 2 of the notification
AT	Registration in progress - <i>Forwarded to the authority</i>	transmission of notification
AR	Registration in progress - <i>Rejected by the authority</i>	receiving a feedback technical KO feedback or business KO feedback from the CSSF
N	N/A	N/A
NT	N/A	Receiving a business OK feedback from the CSSF
NR	N/A	Receiving a KO feedback from host authority
NA	N/A	Receiving an OK feedback from host authority
R	Registered	N/A
RI	<i>Registred - Institutional</i>	N/A
RP	<i>Registred - Private</i>	N/A
RX	No more registered	N/A

Integrated Messaging :

From this new version, a built in messaging system will let you know that a new version is available and that it is necessary to reload your application. These messages will be displayed on the homepage and inside the application:



Should you require any further information, please do not hesitate to contact us.

Kind regards,

Support Technique (SDI)
Tel : +352 47 79 36 211
Email : sdi@bourse.lu